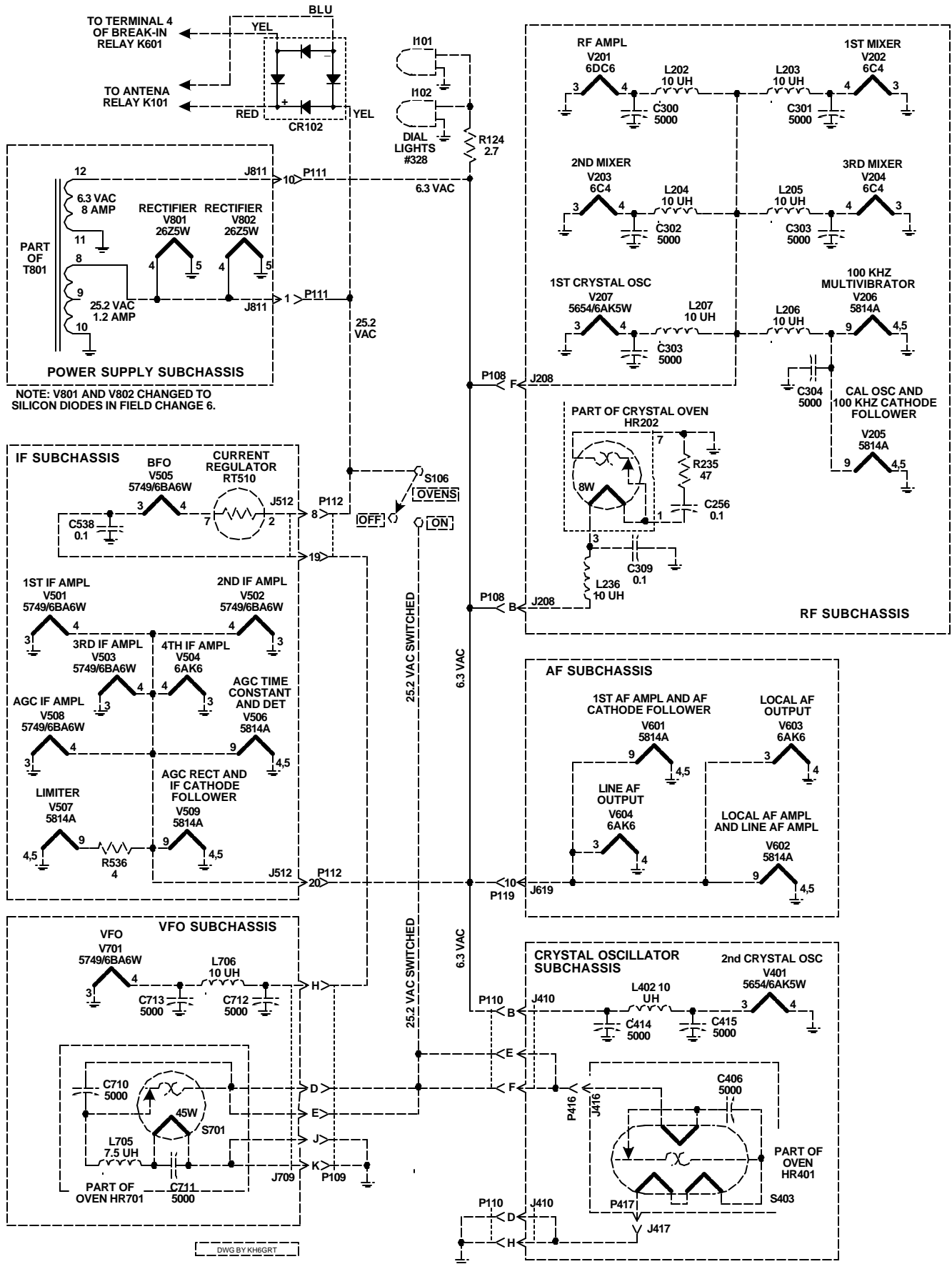


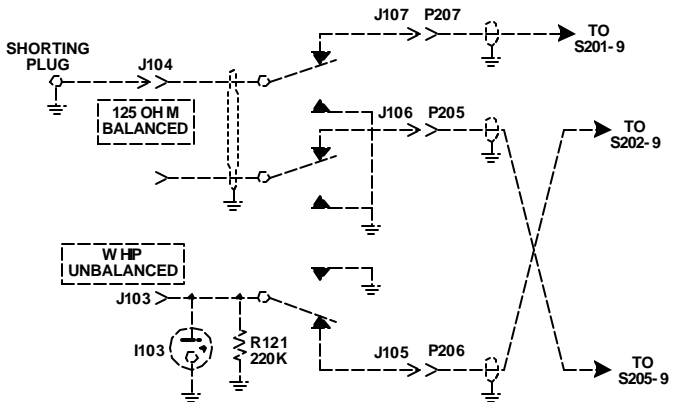
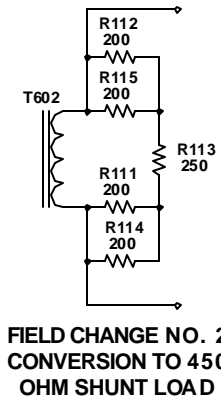
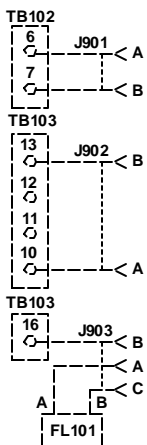
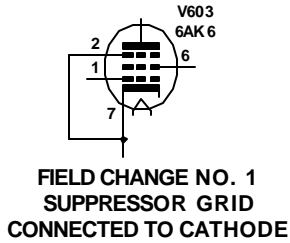
- NOTES:
1. FC 6 CHANGES RECTIFIERS V801 AND V802 TO CR801 AND CR802.
  2. FUNCTION SWITCH S102 SHOWN IN OFF POSITION.
  3. SEE TABLE 2-3 FOR ALTERNATE FUSES.
  4. REFER TO EIB 895.

DWG BY KH6GRT

**Power Distribution Diagram (Figure 5-11)**  
Rev: 2002-Jan-29

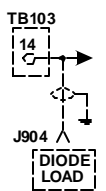


**Filament and Oven Circuits (Figure 5-12)**  
 Rev: 2002-Jan-29

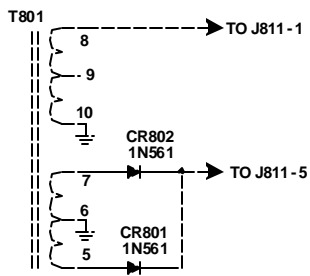


FIELD CHANGE NO. 5 (EIB 664)  
ANTENNA INPUT MODIFIED ON  
SHIPBOARD INSTALLATIONS -  
USE J103 AS ANTENNA INPUT JACK.  
REVERSE CABLES TO J105 AND J106

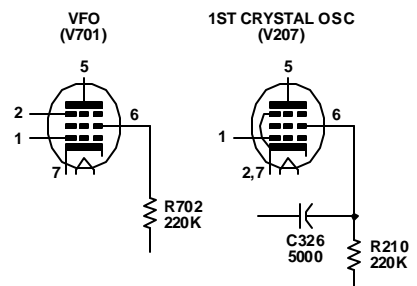
FIELD CHANGE NO. 3 (EIB 702)  
CONVERSION TO AN TYPE  
CONNECTORS



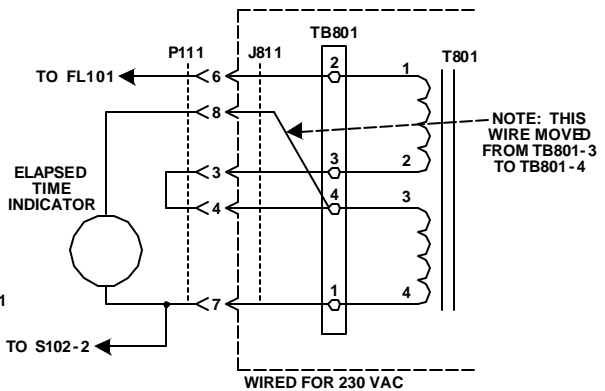
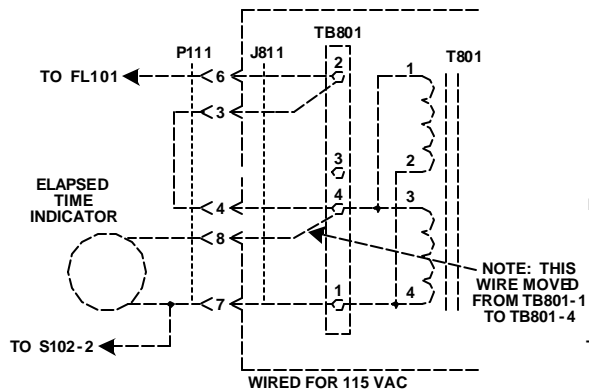
FIELD CHANGE NO. 4 (EIB 655)  
PROVIDES FRONT PANEL  
DIODE TEST JACK



FIELD CHANGE NO. 6 (EIB 702)  
CONVERSION TO SILICON  
DIODES

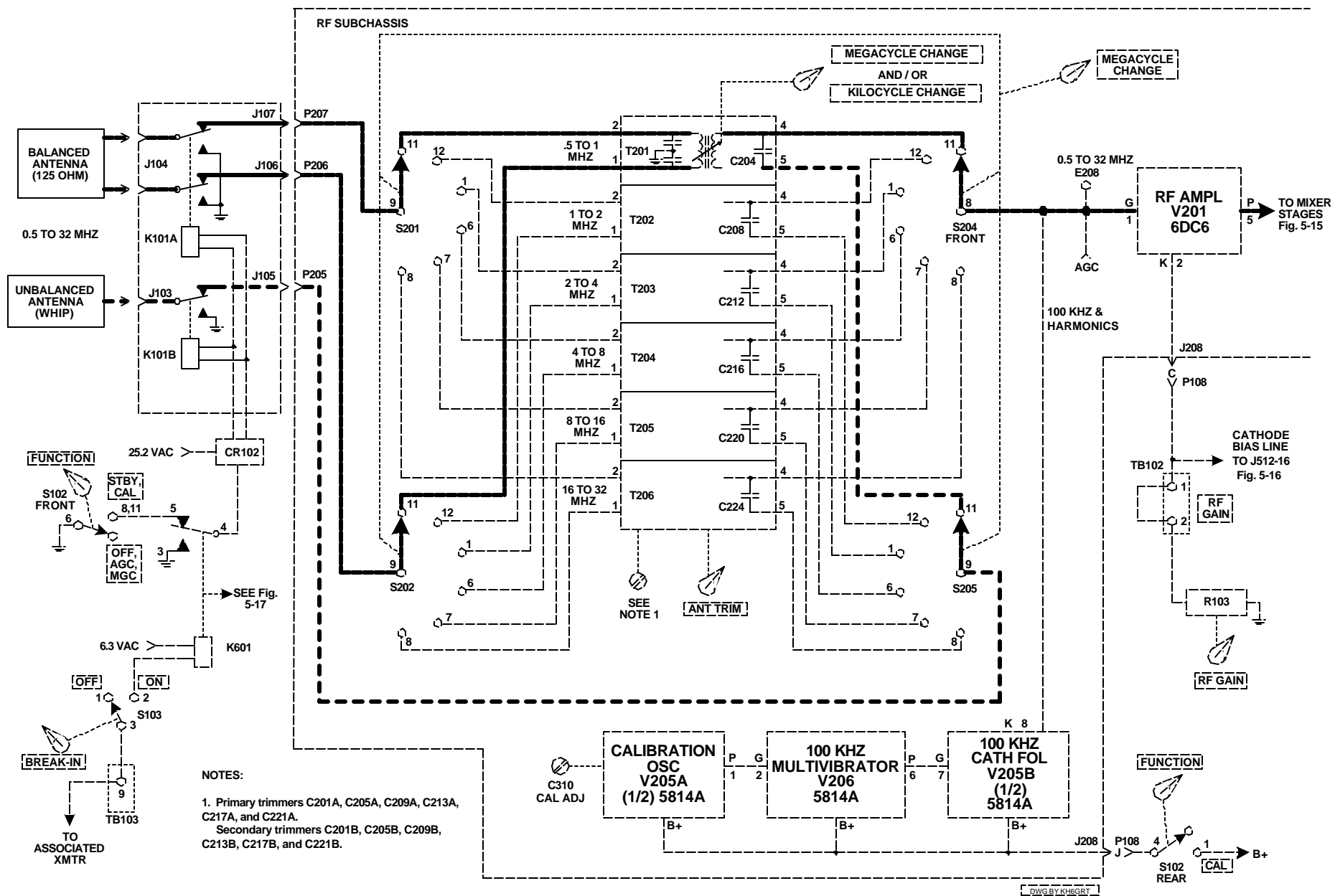


FIELD CHANGE NO. 7  
CONVERSION OF R702 AND R210



FIELD CHANGE NO. 8  
PROVIDES ELAPSED TIME INDICATOR

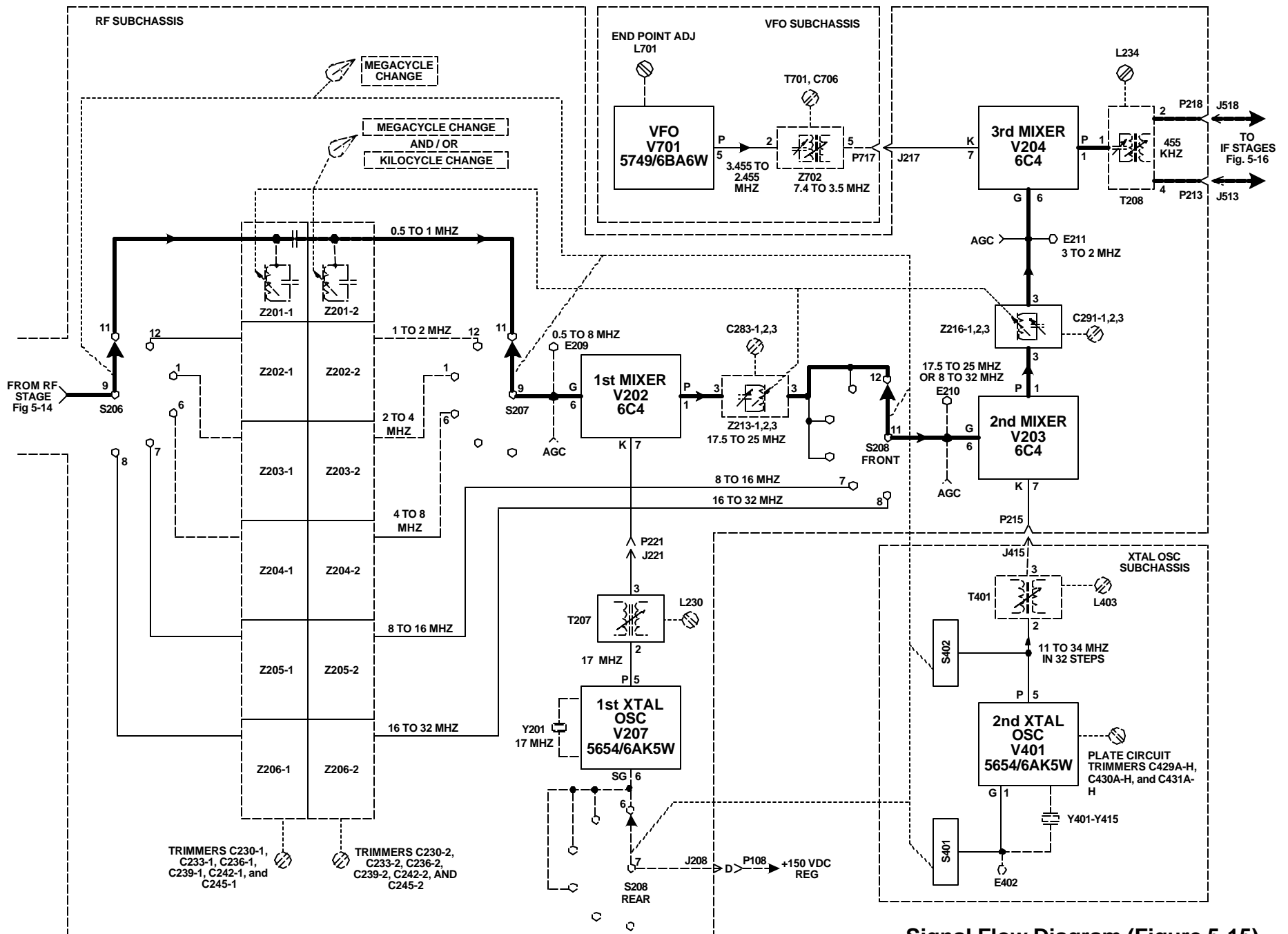
Field Changes (Figure 5-13)



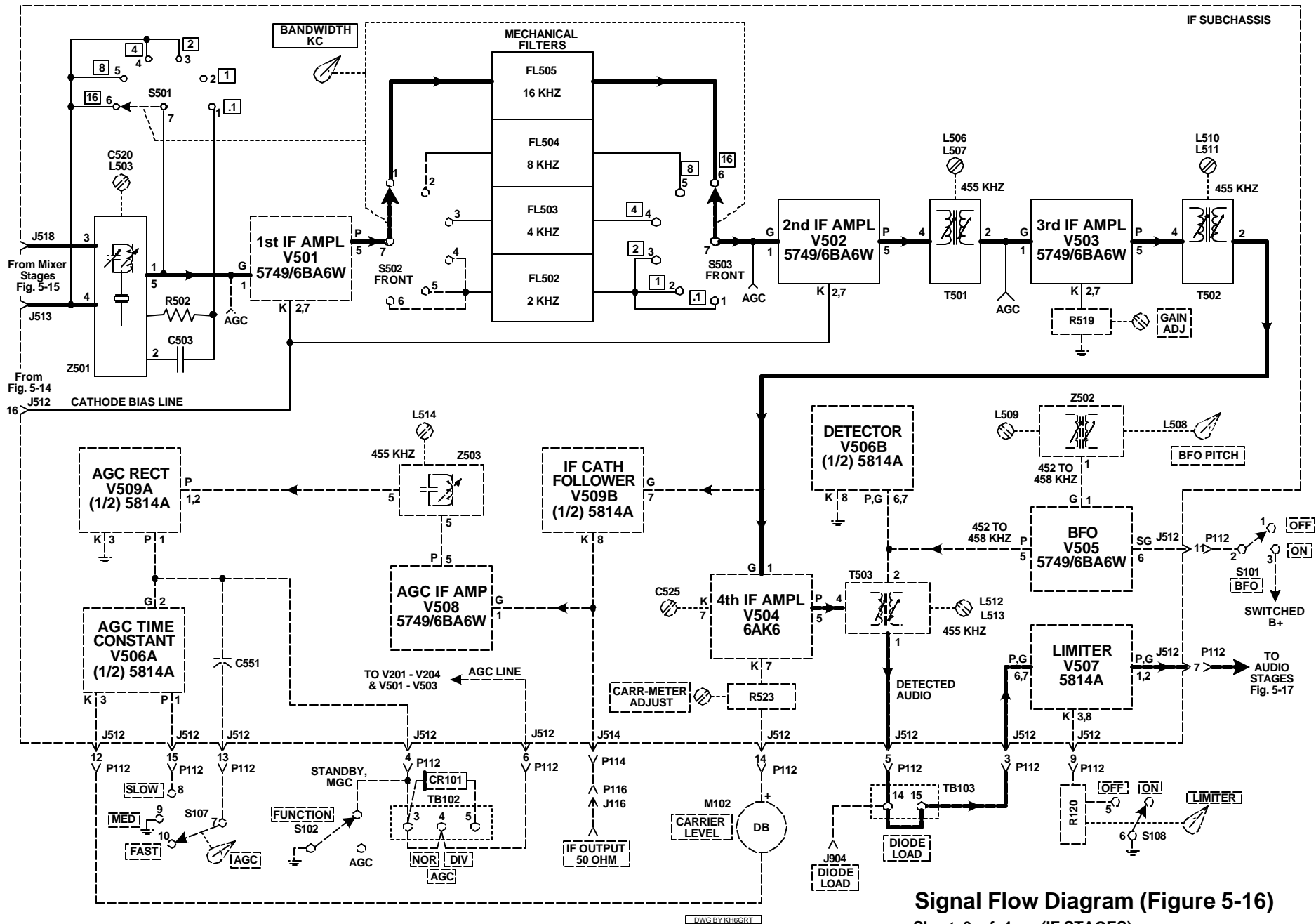
**Signal Flow Diagram (Figure 5-14)**

Sheet 1 of 4 (RF STAGE)

Rev: 01/19/00



Signal Flow Diagram (Figure 5-15)

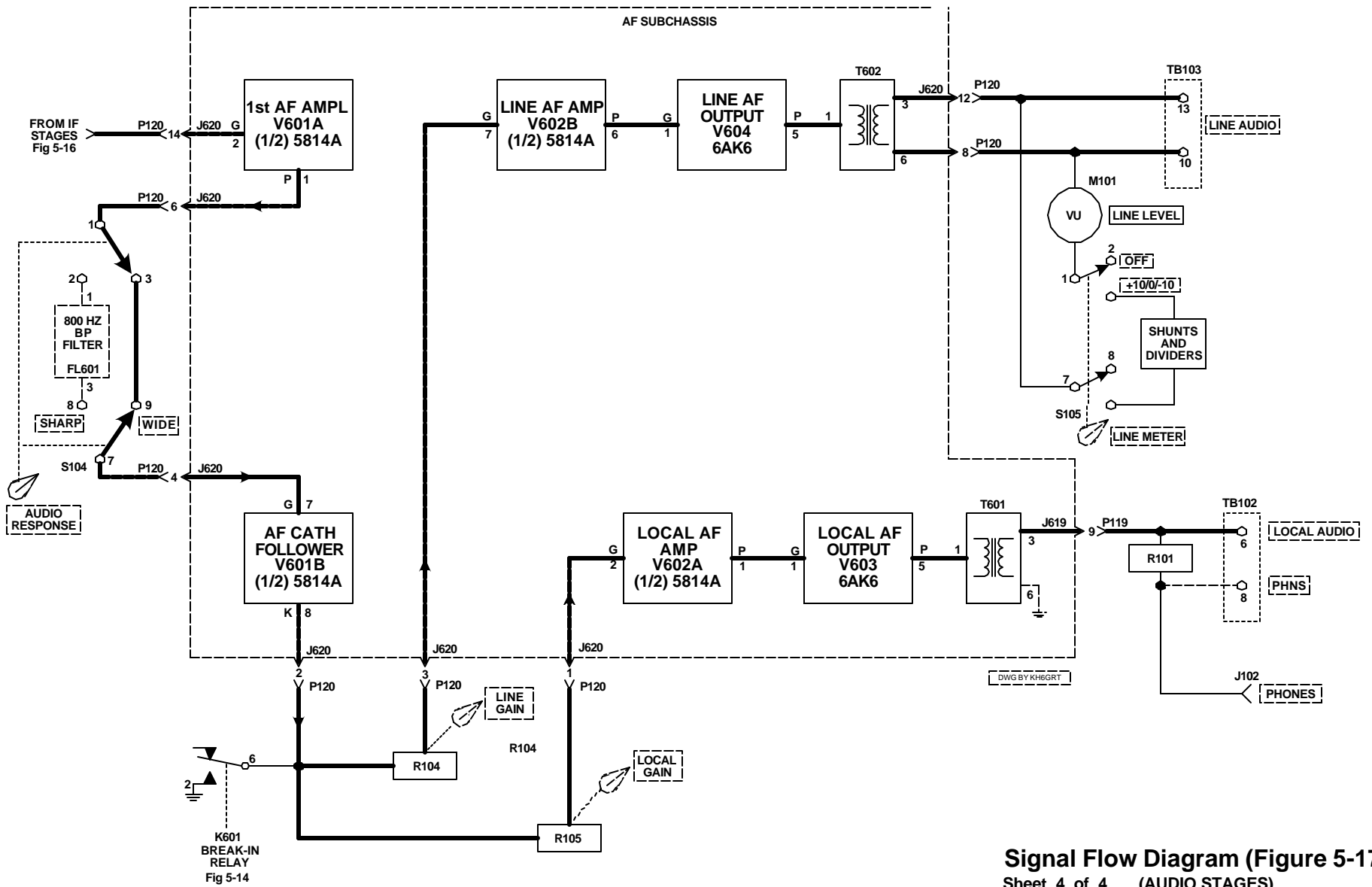


**Signal Flow Diagram (Figure 5-16)**

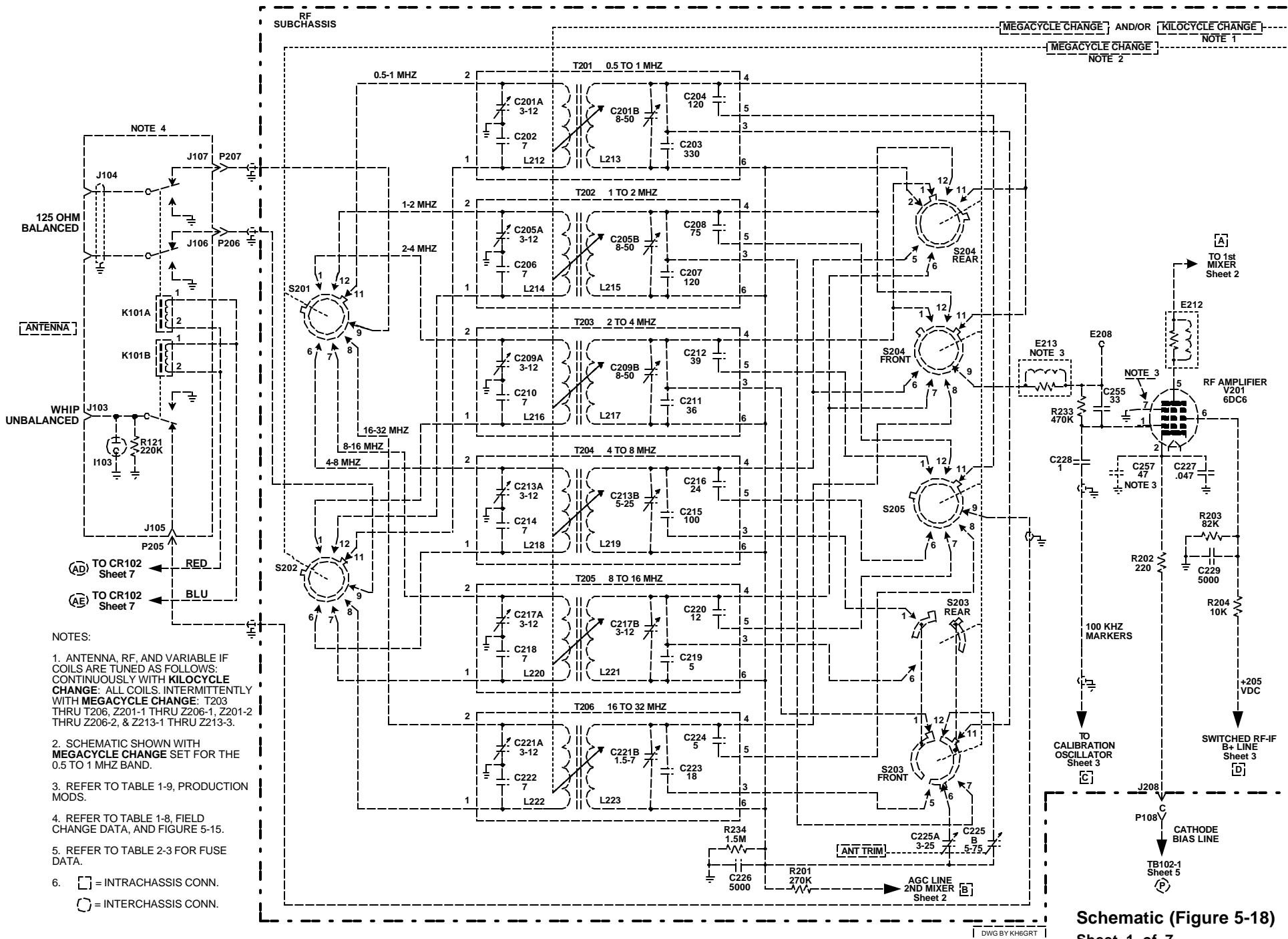
Sheet 3 of 4 (IF STAGES)

Rev: 01/10/00

DWG BY KH6GR7

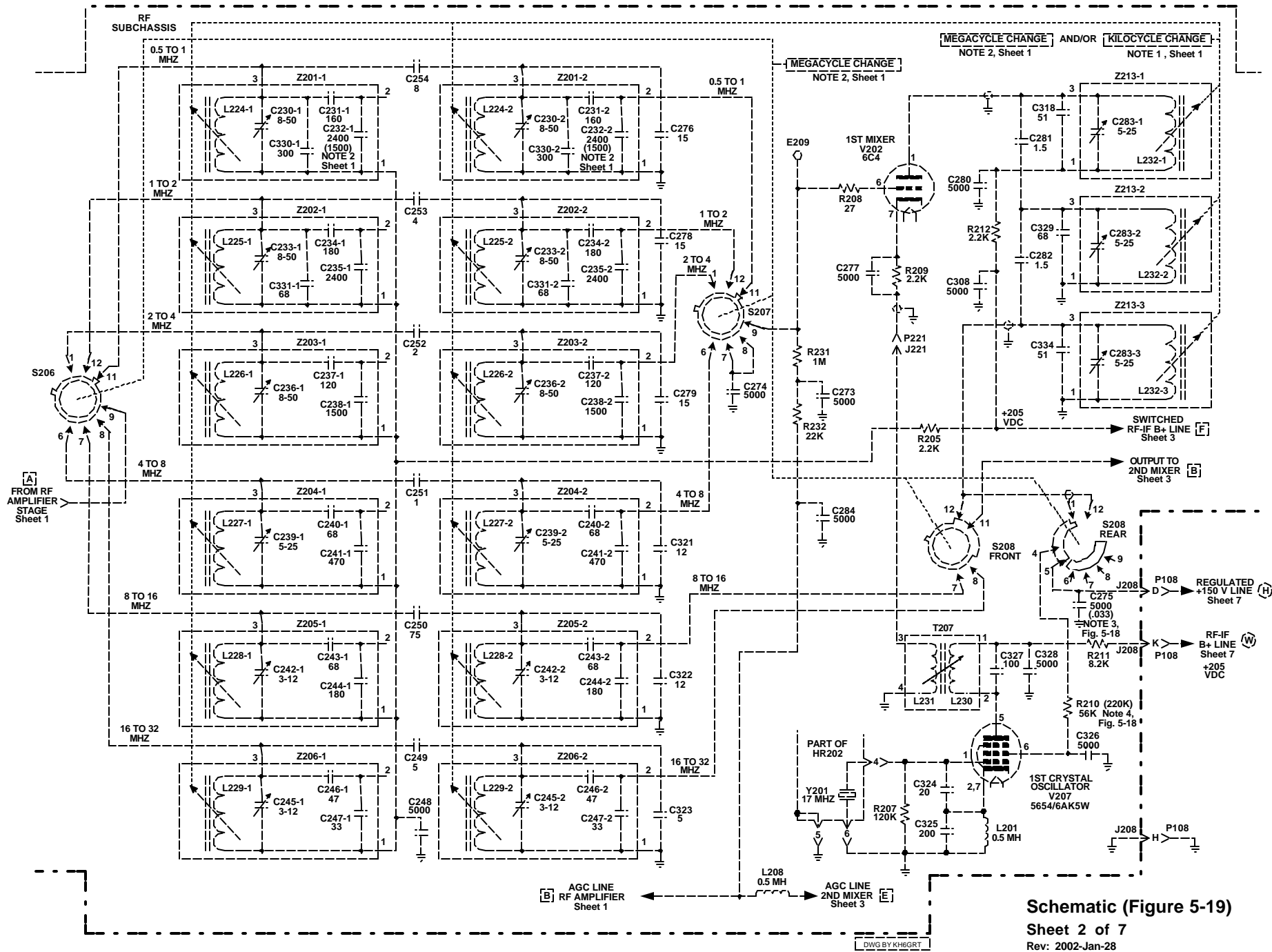


Signal Flow Diagram (Figure 5-17)



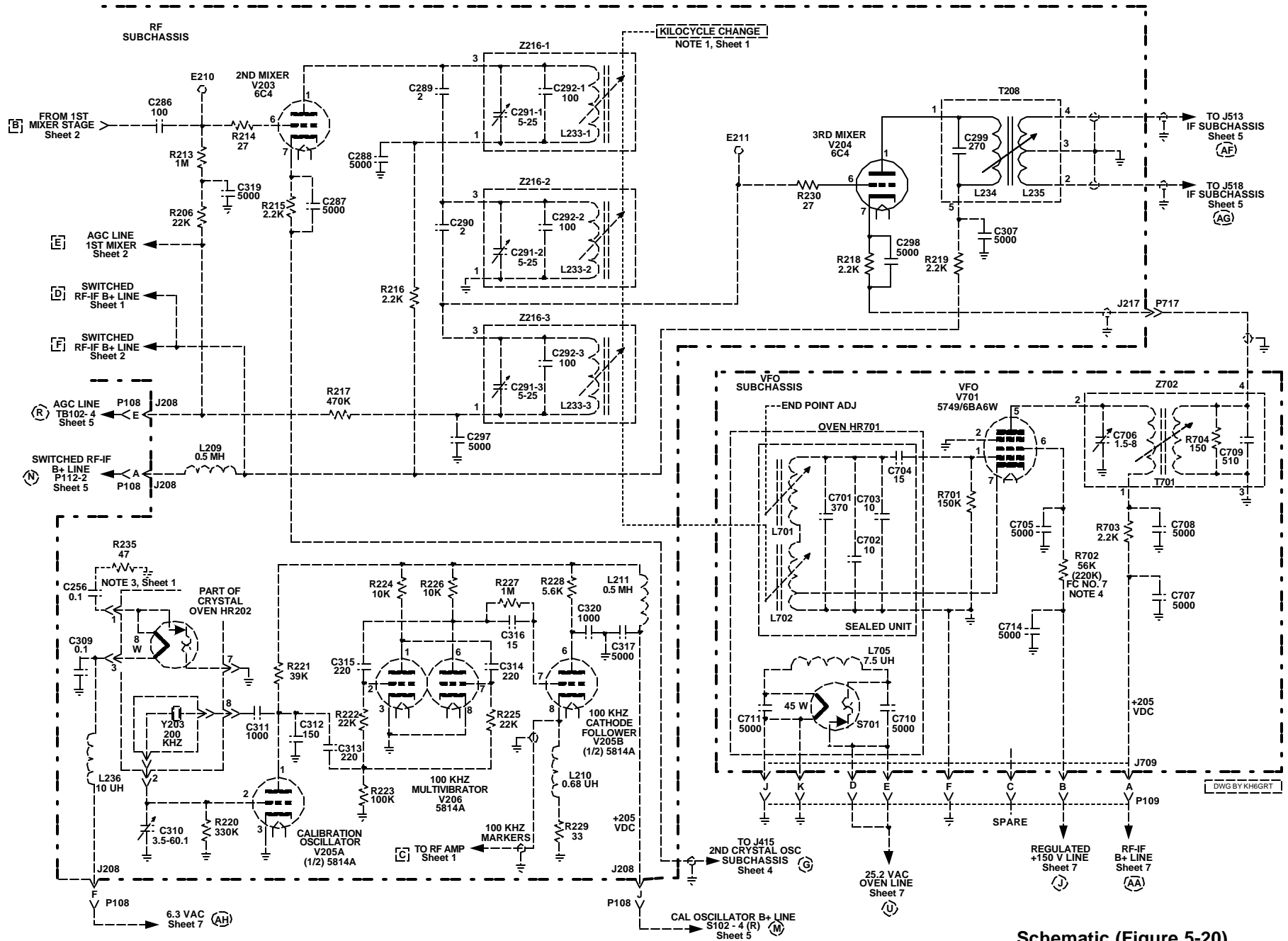
**Schematic (Figure 5-18)**  
**Sheet 1 of 7**  
 Rev: 2002-Jan-26





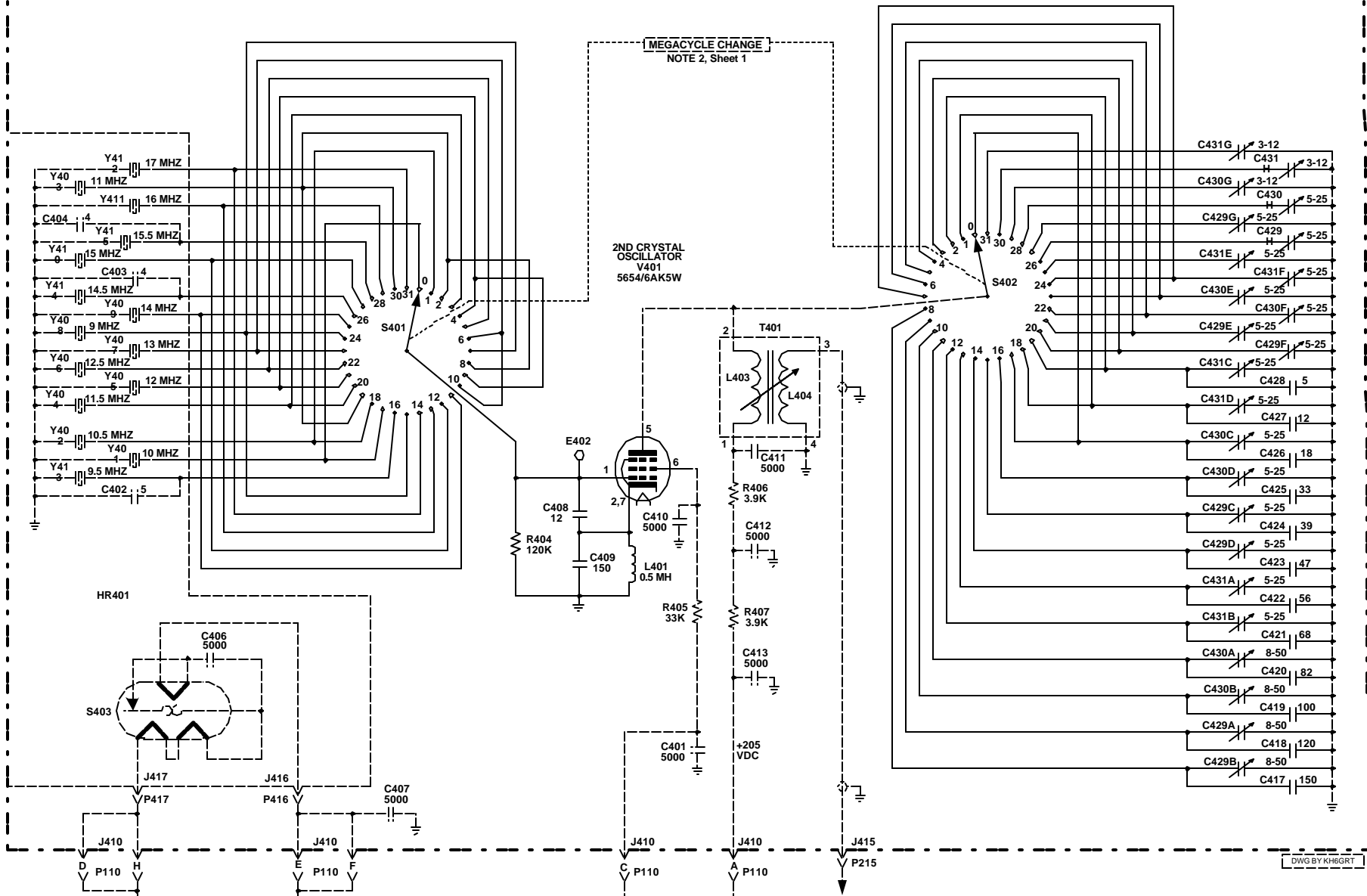
**Schematic (Figure 5-19)**  
**Sheet 2 of 7**  
 Rev: 2002-Jan-28

DWG BY KH6GRT

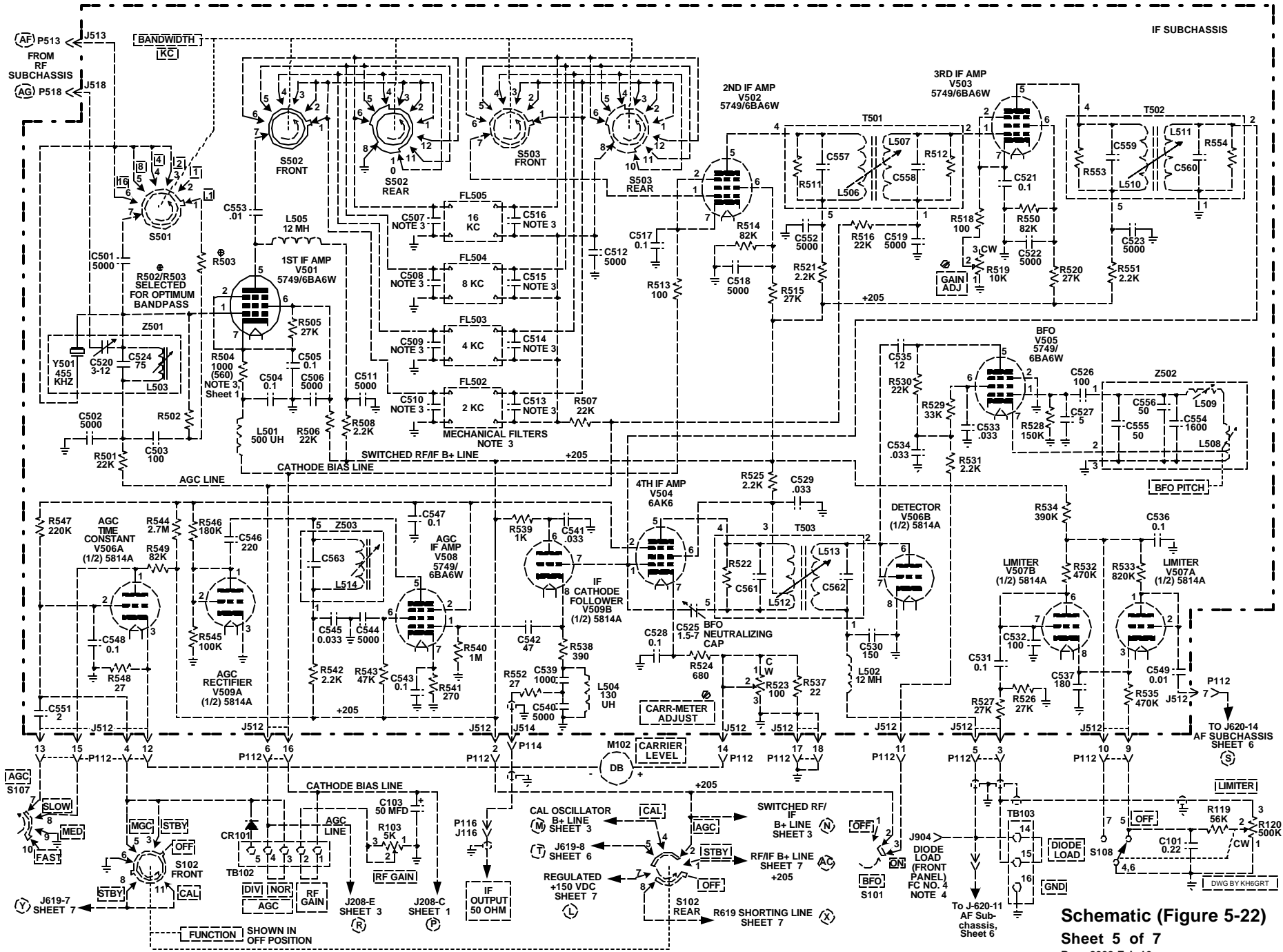


**Schematic (Figure 5-20)**  
 Sheet 3 of 7  
 Rev: 2002-Jan-29

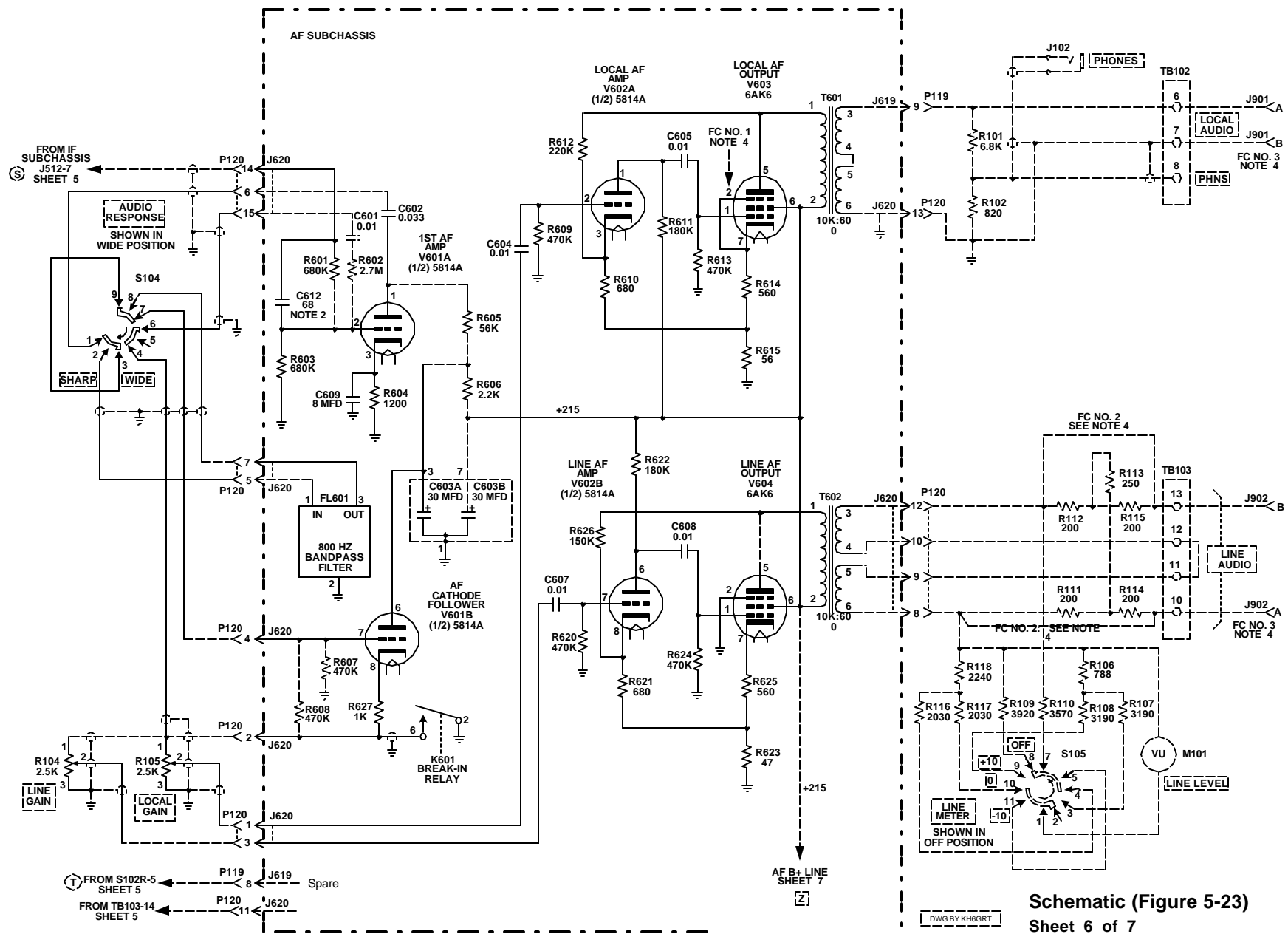
CRYSTAL OSCILLATOR SUBCHASSIS



Schematic (Figure 5-21)



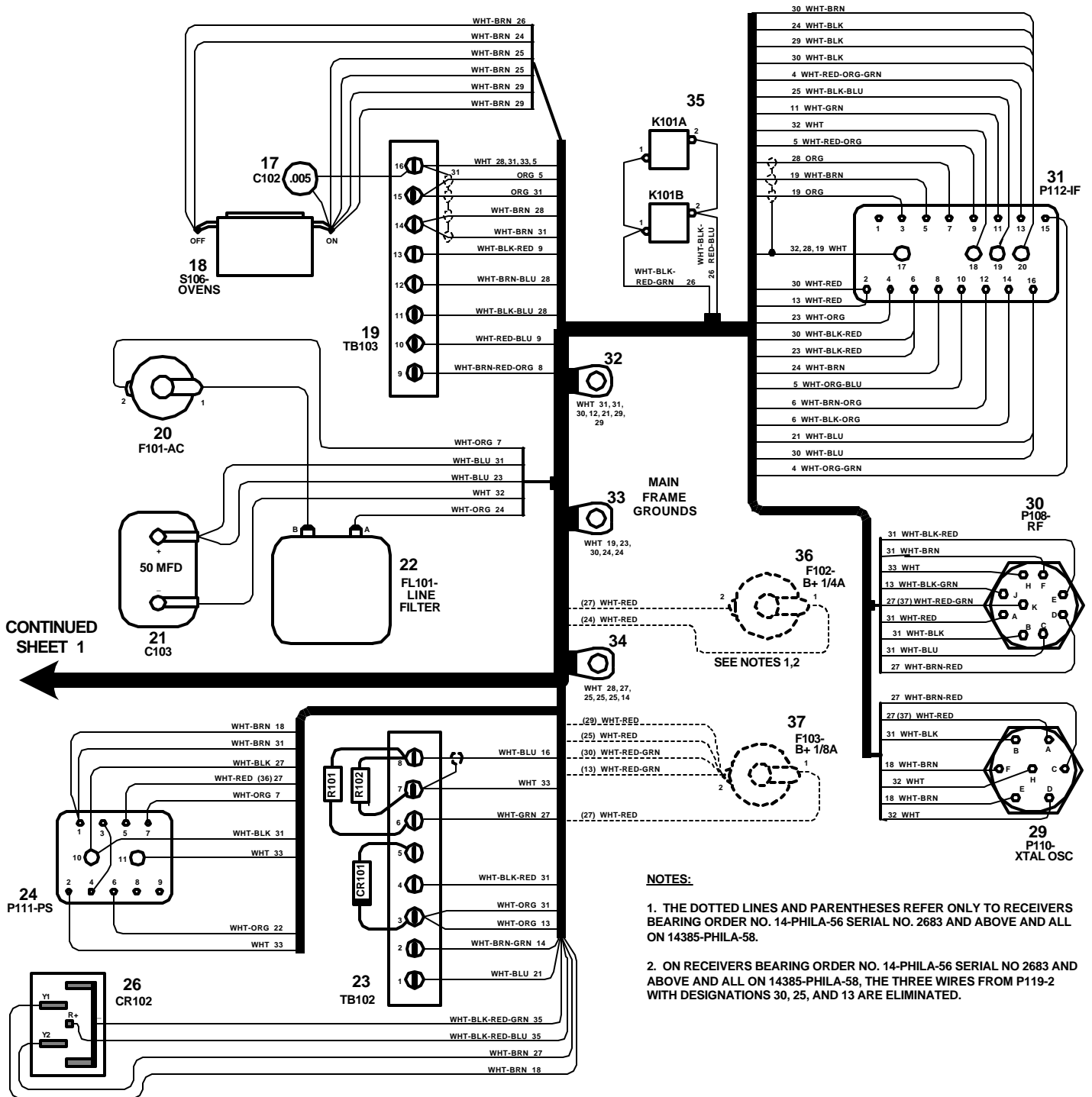
**Schematic (Figure 5-22)**  
 Sheet 5 of 7  
 Rev: 2002-Feb-16



**Schematic (Figure 5-23)**







DWG BY KH6GRT

**Figure 6-35. Radio Receiver R-390A/URR Main Frame Wiring Diagram**

Sheet 2 of 2

Rev: 01/21/00